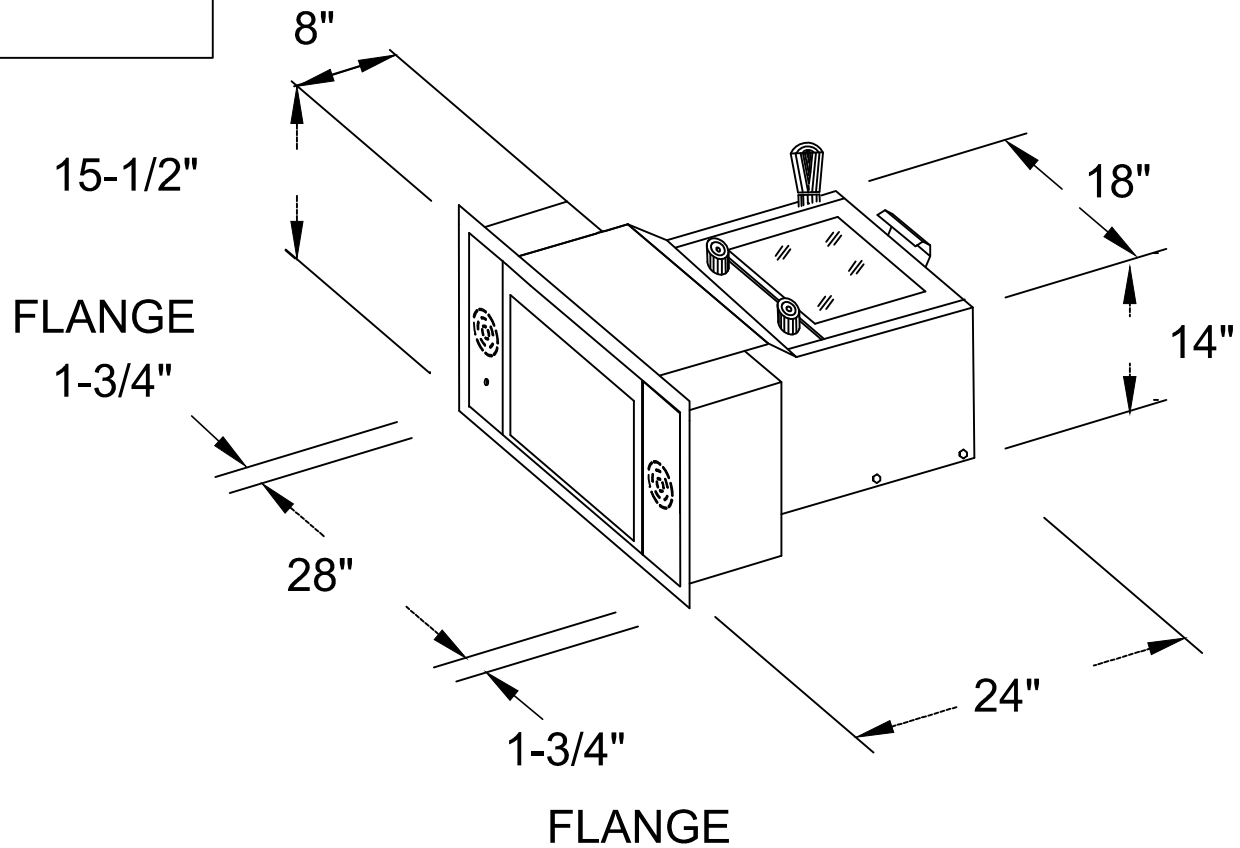


Rough Opening:
28-3/8" (W) X 15-7/8" (H)

Actual Dimension:
28" (W) X 15-1/2" (H)

Transfer Area:
13" (W) X 10" (H) X 21" (D)



NOTE: THIS DRAWING EMBODIES A CONFIDENTIAL PROPRIETARY DESIGN ORIGINATED AND OWNED BY QUIKSERV CORP., AND IS SUBMITTED UNDER A CONFIDENTIAL RELATIONSHIP. ALL PATENT, MANUFACTURING, SALE RIGHTS REGARDING THE SAME ARE RESERVED EXCEPT TO THE EXTENT RIGHTS ARE EXPRESSLY GRANTED TO OTHERS. THE RECIPIENT AGREES BY ACCEPTING THESE DRAWINGS NOT TO SUPPLY OR DISCLOSE ANY INFORMATION REGARDING THEM TO ANY UNAUTHORIZED PERSON.

Interbank-Equipment, LLC
www.interbankx.com
866-286-4400

QSB-12S MAIN VIEW

Submitted By:
BRIAN COBLE

Scale:
n/a

Date:
2/14/2013

Sheet:
QSB12S Main View 2.14.2013