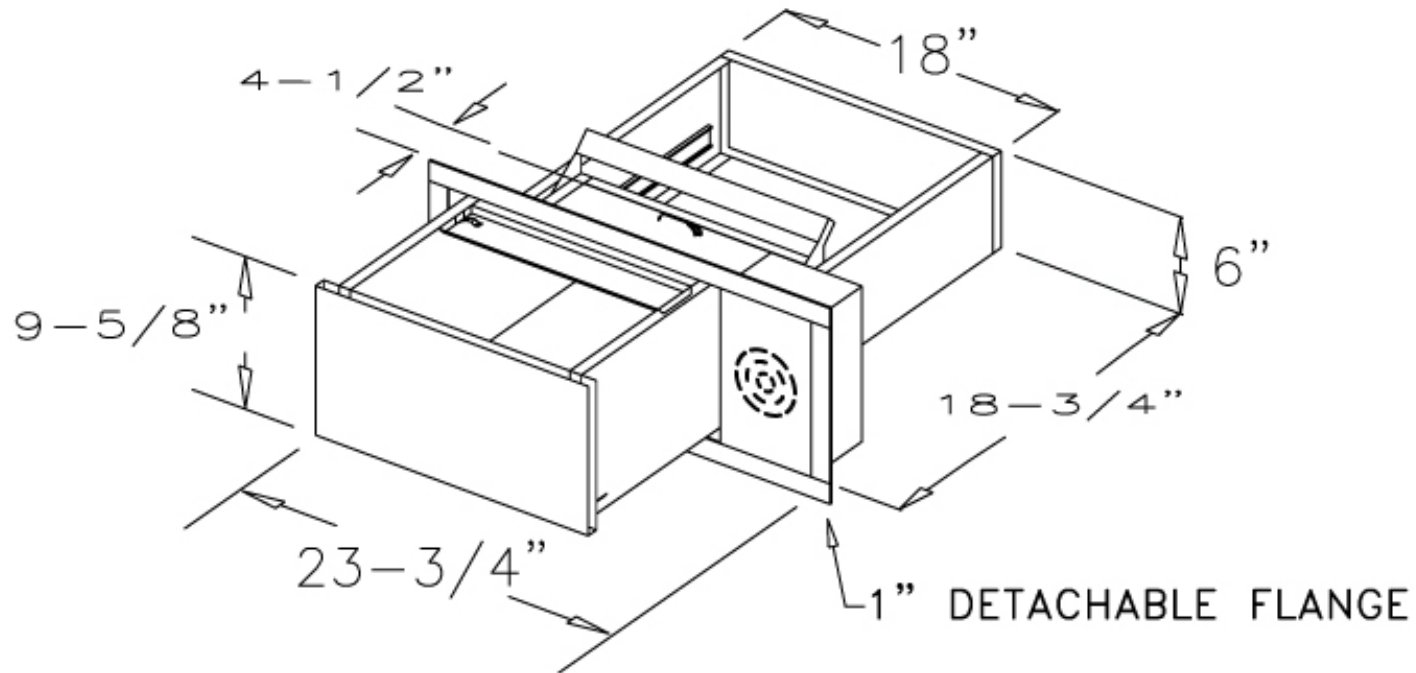


Rough Opening:
24-1/8" (W) X 10" (H)

Actual Dimension
23-3/4" (W) X 9-5/8" (H)



NOTE: THIS DRAWING EMBODIES A CONFIDENTIAL PROPRIETARY DESIGN ORIGINATED AND OWNED BY QUIKSERV CORP., AND IS SUBMITTED UNDER A CONFIDENTIAL RELATIONSHIP. ALL PATENT, MANUFACTURING, SALE RIGHTS REGARDING THE SAME ARE RESERVED EXCEPT TO THE EXTENT RIGHTS ARE EXPRESSLY GRANTED TO OTHERS. THE RECIPIENT AGREES BY ACCEPTING THESE DRAWINGS NOT TO SUPPLY OR DISCLOSE ANY INFORMATION REGARDING THEM TO ANY UNAUTHORIZED PERSON.

Interbank-Equipment
P. O. Box 623
Black Canyon City, AZ 85324

QST-1019S MAIN VIEW

Submitted By:
BRIAN COBLE

Date:
12/23/2005

Sheet:
DD03