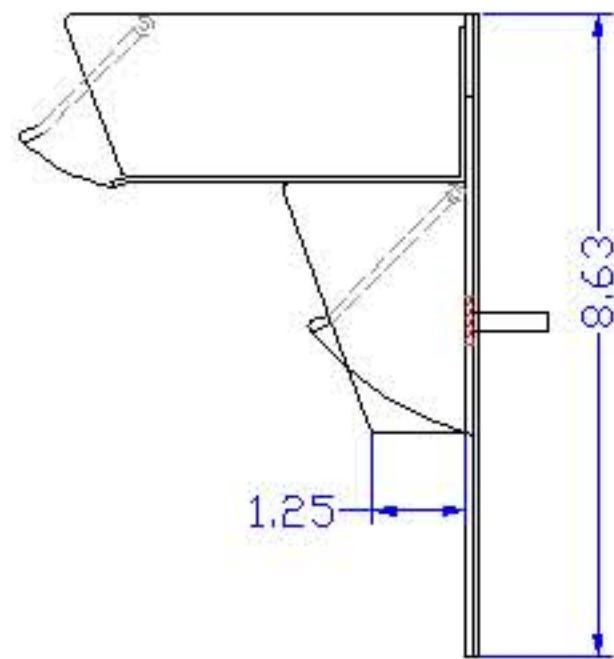


SS HEAD PROFILE
WITH ENVELOPE
HOLDER



SS FACE PLATE PLAN
WITH ENVELOPE
HOLDER

