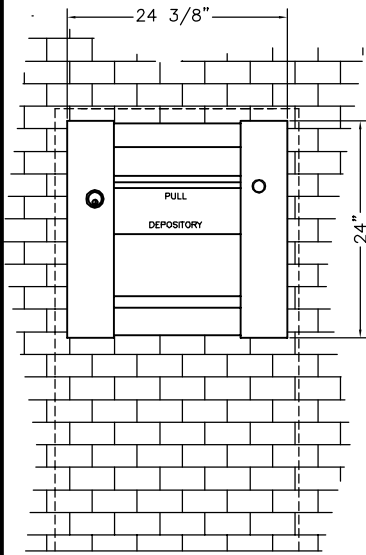
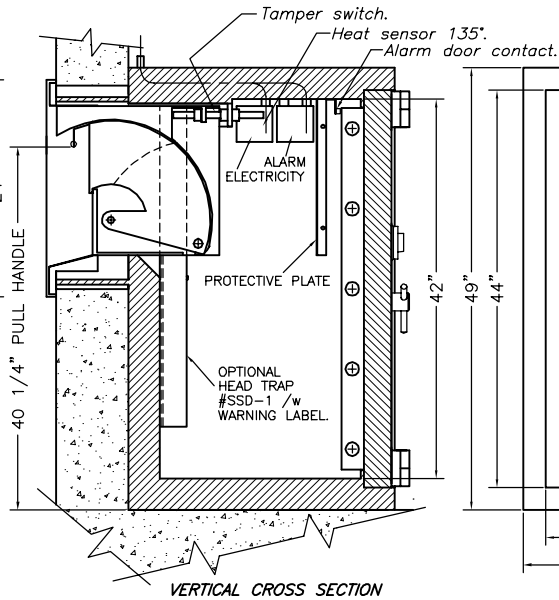


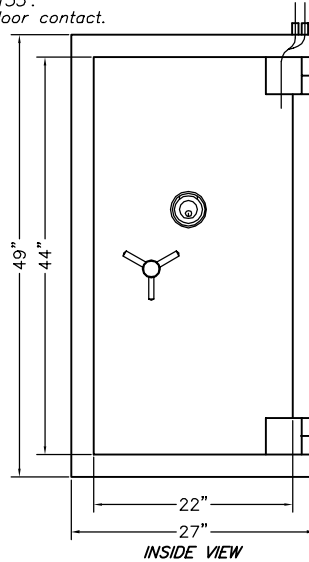
REGULAR DRIVE-UP DEPOSITORY (TL-30)



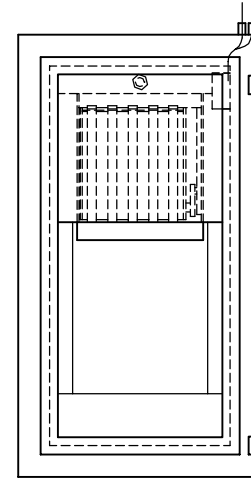
BANK CUSTOMER VIEW



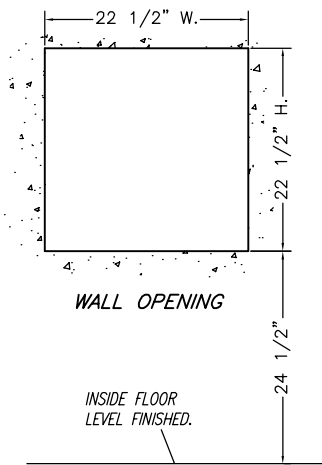
VERTICAL CROSS SECTION



INSIDE VIEW

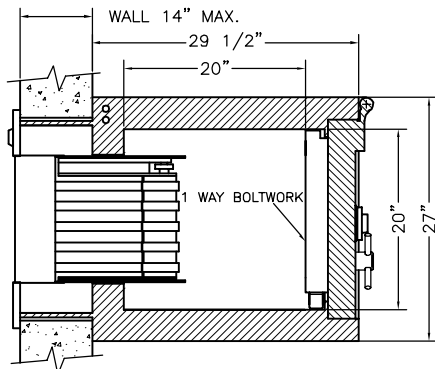


INSIDE VIEW WITH MAIN DOOR OMITTED





WALL OPENING

INSIDE FLOOR LEVEL FINISHED.



HORIZONTAL CROSS SECTION

 Underwriters Laboratories Inc.®
UL LISTED DEPOSITORY HEAD.

 TOOL-RESISTANT SAFE
CLASS TL-30 BURGLARY
ALSO SUITABLE FOR USE AS RECEIVING CHEST FOR NIGHT DEPOSITORY
LISTED
SECURIFORT INC.

Regular Drive-Up Depository (TL-30)

CHARACTERISTICS

- Unit for bag & envelope deposits.
- The large capacity bag deposit compartment is exposed only when the required key has operated the lock in the depository frame.
- Anti-fishing device.
- Exterior fascia with stainless steel finish.
- Outside lighting system with spare bulb.
- Door of receiving chest is equipped with 1-3 wheel combination locks GR 2M #6630 with keylocking dial.
- Contacts for installation of alarm hook-up.
- Heat sensor 135° (see drawing).
- Tamper switch (see drawing).
- Alarm door contact (see drawing).
- 100 head keys standard.
- Maintenance free head mechanism.
- Door prepared for receive a timelock.
- WEIGHT= 2370 lbs.

OPTIONS

- Pre-wiring two circuits for alarm system to protect body and door of the receiving chest.
- 2 movement timelock.
- Customer engraving on outside fascia.
- Available in TL-30x6 model.
- Extra head keys.
- Seismic detector.



Regular Drive-Up Depository

3	27 01 03	DETAILS ADDED	RM
2	08 05 02	"PULL" IDENT. ADDED ON FASCIA.	RM
1	08 05 02	5 SLIDING BOLTS WAS 3.	RM
NO	DATE	REVISION	BY

DRAWING NO	DRAWN BY	DATE
PC 662 R3	RM	20 12 01