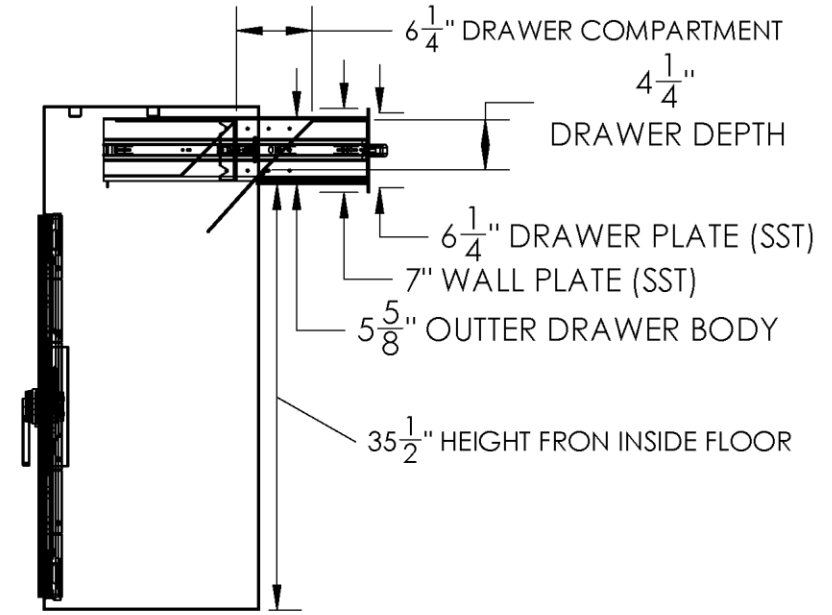
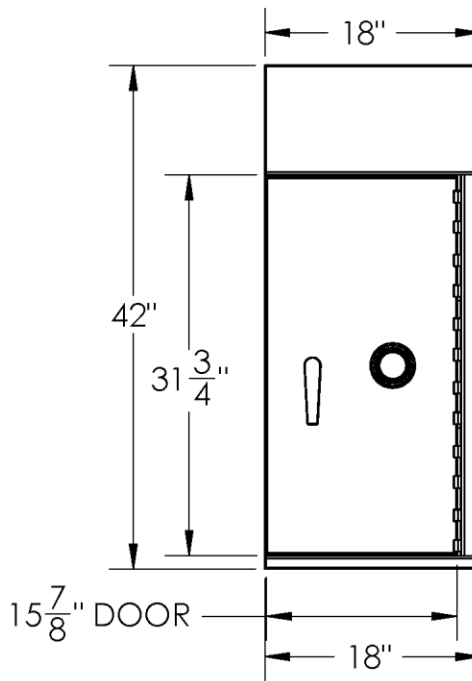
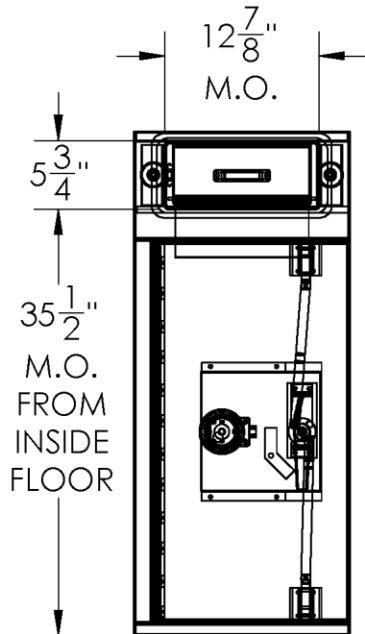
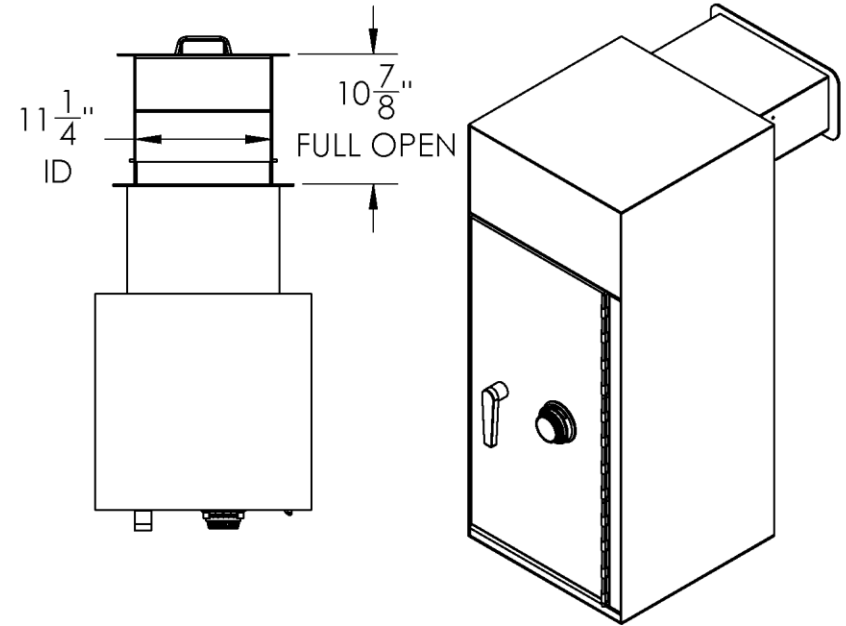
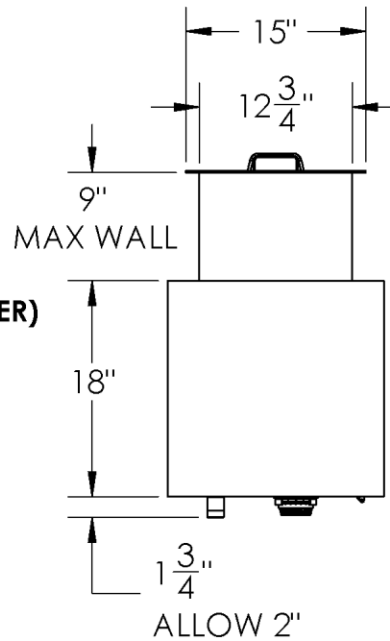


**DEPOSIT SAFE WITH DRAWER**  
**FITS 4" TO 9" WALLS**  
**BUILT IN ADJUSTABLE WALL CLAMP**  
**STAINLESS STEEL EXTERIOR DRAWER FRONT**  
**DEPOSITORY BODY 11 GUAGE STEEL (0.120)**  
**DOOR 11 GUAGE STEEL (0.120)**  
**DOOR REINFORCED WITH 1/4" WELD PLATES**  
**RIGHT SWING DOOR**  
**DOOR LOCK S&G COMBO**  
**OPTIONAL LOCK ON EXTERIOR DOOR (DRAWER)**  
**PAINTED: \_\_\_\_\_**  
**WEIGHT: 210 LBS**



**APPROVED BY:** \_\_\_\_\_

**DATE:** \_\_\_\_\_

**For Interbank-Equipment**  
**Black Canyon City, AZ 85324**

**PROPRIETARY AND CONFIDENTIAL**  
THE INFORMATION CONTAINED IN THIS DRAWING IS THE SOLE PROPERTY OF VAULT STRUCTURES, INC. ANY REPRODUCTION IN PART OR AS A WHOLE WITHOUT THE WRITTEN PERMISSION OF VAULT STRUCTURES, INC IS PROHIBITED.

MATERIAL : \_\_\_\_\_  
 GAUGE : \_\_\_\_\_  
 GRAIN : \_\_\_\_\_  
 BEND RAD. : \_\_\_\_\_  
 K-FACTOR : \_\_\_\_\_

DWG. NO: ENVELOPE SAFE W\_DRAWER-APR

DRAWN BY: SAC

DATE: 03/12/10

APPR. BY: -

SIZE

TITLE: INTERBANK-EQUIPMENT

REV

SCALE: 1:16

SHEET 1 OF 5

**A**