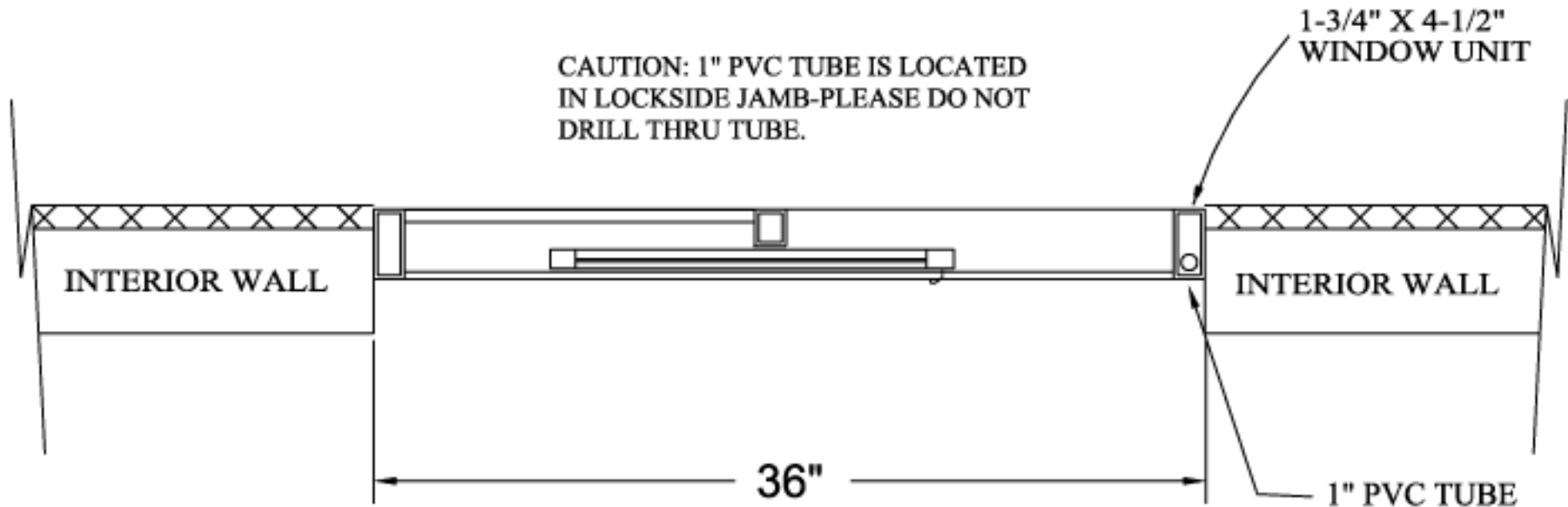


Rough Opening:
36-3/8" (W) X 36-3/8" (H)

Actual Dimension
36" (W) X 36" (H)

Service Opening:
15"(W) X 29"(H)

CAUTION: 1" PVC TUBE IS LOCATED
IN LOCKSIDE JAMB-PLEASE DO NOT
DRILL THRU TUBE.



NOTE: THIS DRAWING EMBODIES A CONFIDENTIAL PROPRIETARY DESIGN ORIGINATED AND OWNED BY QUIKSERV CORP., AND IS SUBMITTED UNDER A CONFIDENTIAL RELATIONSHIP. ALL PATENT, MANUFACTURING, SALE RIGHTS REGARDING THE SAME ARE RESERVED EXCEPT TO THE EXTENT RIGHTS ARE EXPRESSLY GRANTED TO OTHERS. THE RECIPIENT AGREES BY ACCEPTING THESE DRAWINGS NOT TO SUPPLY OR DISCLOSE ANY INFORMATION REGARDING THEM TO ANY UNAUTHORIZED PERSON.

INTERBANK-EQUIPMENT
P.O. BOX 632
BLACK CANYON CITY, AZ 85324

SC-3030 & IFSC-3030 TOP VIEW

Submitted By:
BRIAN COBLE

Date:
12/21/2005

Sheet:
WD25