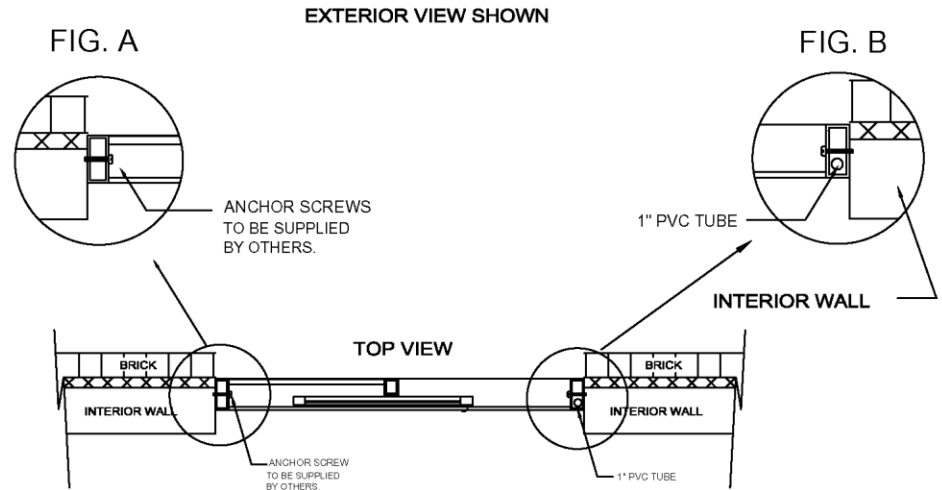
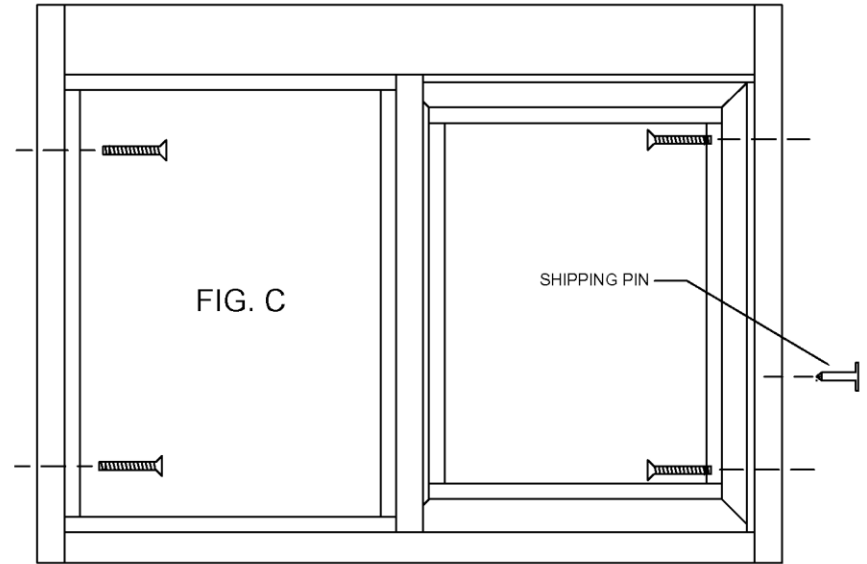


# TYPICAL SC-3030 INSTALLATION

- 1) QUIKSERV WINDOWS MUST BE INSTALLED LEVEL AND SQUARE TO WORK PROPERLY.
- 2) REMOVE SHIPPING PIN BEFORE INSTALLING WINDOW. SHIPPING PIN LOCATED IN LOCKSIDE JAMB. (SEE FIG. C)
- 3) ANCHOR THROUGH EACH SIDE JAMB AT TWO PLACES TOP & BOTTOM OF EACH JAMB USING PRE-DRILLED HOLES. (SEE FIG. A & B)
- 4) ANCHOR SCREWS TO BE SUPPLIED BY CONTRACTOR.
- 5) CAUTION A 1" PVC TUBE IS LOCATED IN THE LOCKSIDE JAMB- DEPENDING ON LEFT HANDED OR RIGHT. (SEE FIG. B) DRILLING INTO 1" PVC TUBE WILL VOID WARRANTY.
- 6) RECOMMENDED HEIGHT FROM FLOOR TO SERVICE OPENING TO BE 36". (CHECK ANY AND ALL LOCAL OR CITY CODES)
- 7) SILICONE ALL EXTERIOR AND INTERIOR JOINTS.
- 8) ALL OTHER TYPE OF ANCHORING TO BE APPROVED BY CERTIFIED ENGINEER.



NOTE: THIS DRAWING EMBODIES A CONFIDENTIAL PROPRIETY DESIGN ORIGINATED AND OWNED BY QUIKSERV CORP., AND IS SUBMITTED UNDER A CONFIDENTIAL RELATIONSHIP. ALL PATENT, MANUFACTURING, SALE RIGHTS REGARDING THE SAME ARE RESERVED EXCEPT TO THE EXTENT RIGHTS ARE EXPRESSLY GRANTED TO OTHERS. THE RECIPIENT AGREES BY ACCEPTING THESE DRAWINGS NOT TO SUPPLY OR DISCLOSE ANY INFORMATION REGARDING THEM TO ANY UNAUTHORIZED PERSON.

**Rough Opening:**  
36-3/8" (W) X 36-3/8" (H)

**Actual Dimension:**  
36" (W) X 36" (H)

**Service Opening:**  
14-1/2" (W) X 29" (H)

Interbank-Equipment  
P. O. Box 632  
Black Canyon City, AZ 85324

## SC-3030 Installation Drawing

Drawing Name:  
SC-3030 Installation Drawing

Scale:  
N/A

Date:  
12/8/2009

Drawn By:  
BC

Rev.