

Rough Opening:  
28-1/8" (W) X 40-3/8" (H)

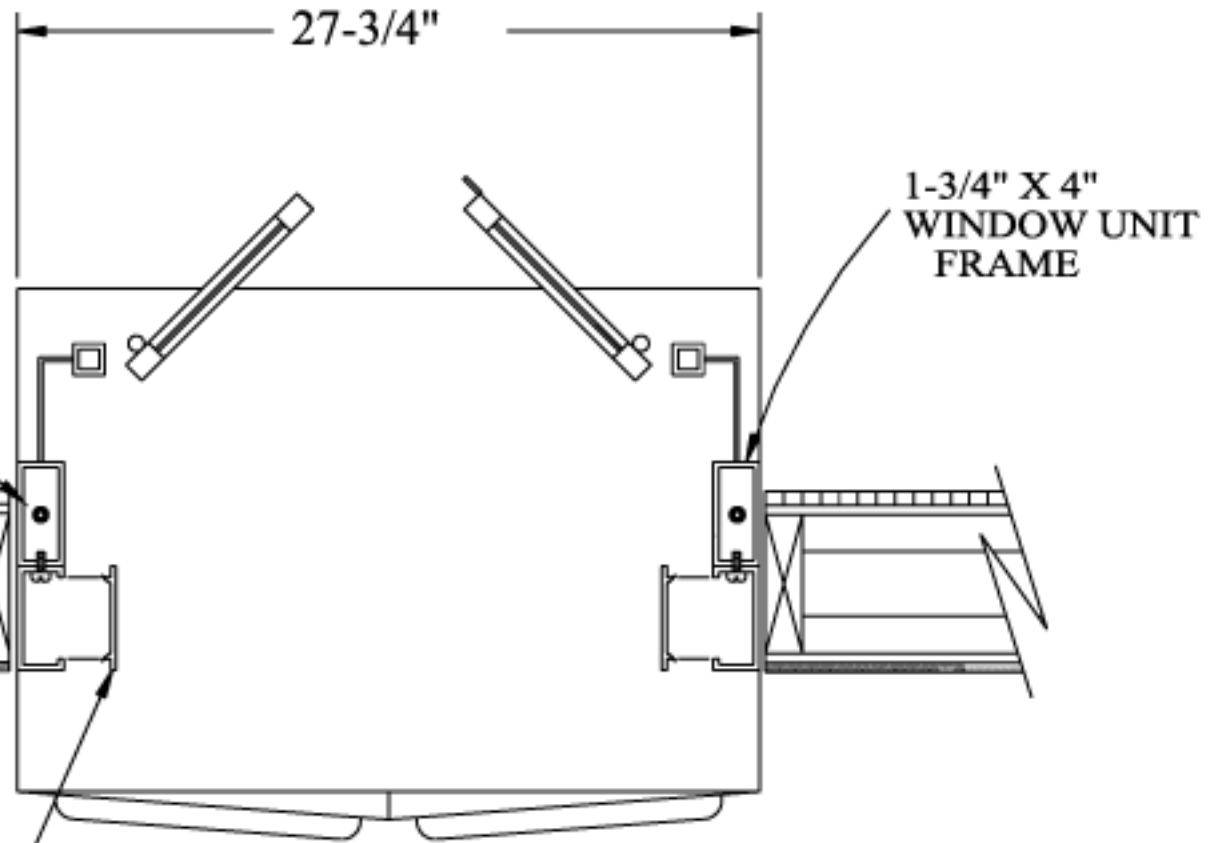
Actual Dimension  
27-3/4" (W) X 40" (H)

Service Opening:  
PW-2 14"(W) X 24-3/8"(H)  
PW-1 14"(W) X 18-3/8"(H)

NOTE:  
DRILLING SHOULD BE OFF CENTER  
TO AVOID ALL THREAD ROD.

ALL THREAD ROD  
INTERIOR WALL

SUB-FRAME &  
SNAP IN FACE  
= "WHEN NEEDED" =  
SUPPLIED BY OTHERS



NOTE: THIS DRAWING EMBODIES A CONFIDENTIAL PROPRIETARY DESIGN ORIGINATED AND OWNED BY QUIKSERV CORP., AND IS SUBMITTED UNDER A CONFIDENTIAL RELATIONSHIP. ALL PATENT, MANUFACTURING, SALE RIGHTS REGARDING THE SAME ARE RESERVED EXCEPT TO THE EXTENT RIGHTS ARE EXPRESSLY GRANTED TO OTHERS. THE RECIPIENT AGREES BY ACCEPTING THESE DRAWINGS NOT TO SUPPLY OR DISCLOSE ANY INFORMATION REGARDING THEM TO ANY UNAUTHORIZED PERSON.

INTERBANK-EQUIPMENT  
P.O. BOX 632  
BLACK CANYON CITY, AZ 85324

## PW-1 & PW-2 TOP VIEW

Submitted By:  
BRIAN COBLE

Date:  
12/23/2005

Sheet:  
WD33