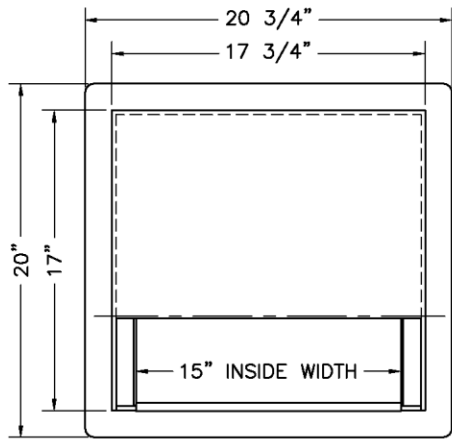
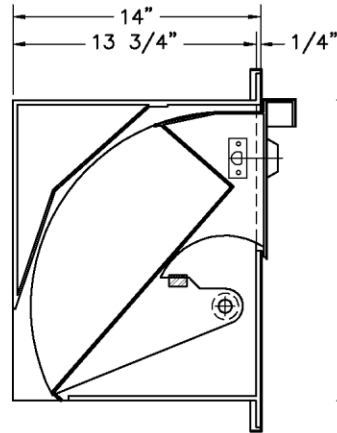


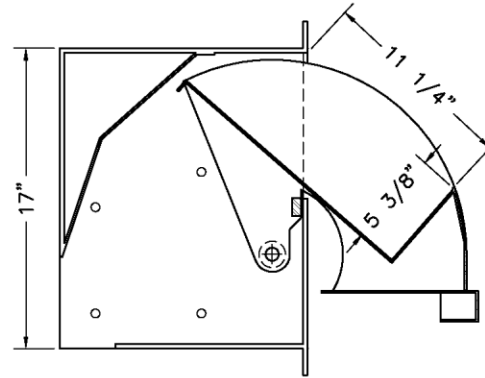
# Optional DEPOSITORY DRAWER for OUTSIDE APPLICATION.



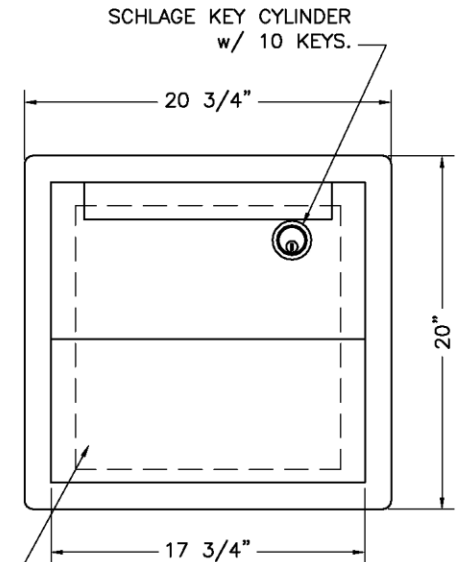
INSIDE VIEW



SIDE VIEW SECTION  
CLOSE POSITION



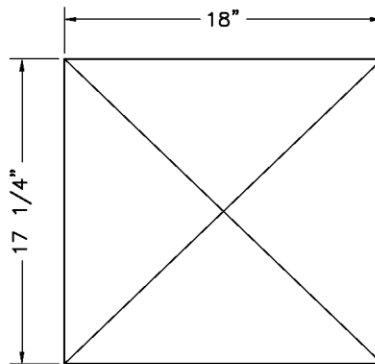
SIDE VIEW SECTION  
OPEN POSITION



OUTSIDE VIEW

## SPECIFICATIONS

- WALL OPENING REQUIRED= -HEIGHT 17 1/4"
- WIDTH 18"
- WEIGHT= 135 lbs.



WALL OPENING



SECURIFORT  
INC

## DEPOSITORY DRAWER

|                   |           |                         |           |           |
|-------------------|-----------|-------------------------|-----------|-----------|
| DRAWING NO        | DRAWN BY  | DATE                    |           |           |
| <i>PC 831 SP1</i> | <i>RM</i> | <i>08</i>               | <i>12</i> | <i>10</i> |
| ITEM NO           |           | <i>AC-WAD-051511-05</i> |           |           |

Interbank-Equipment  
P. O. Box 632  
Black Canyon City, AZ 85324  
866-286-4400