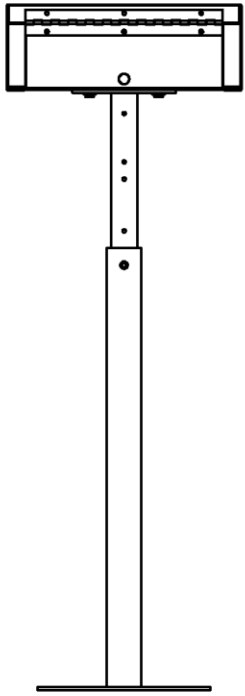
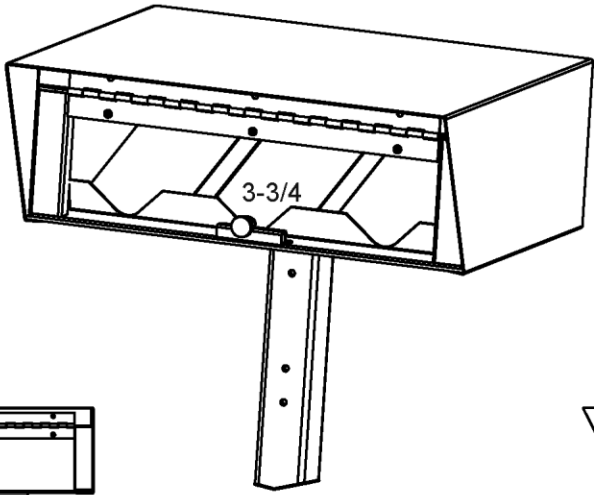
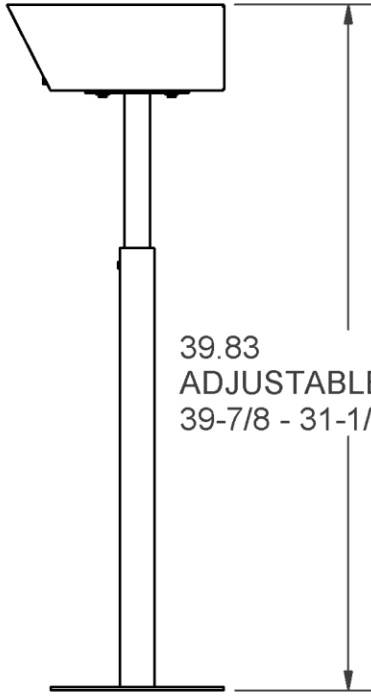


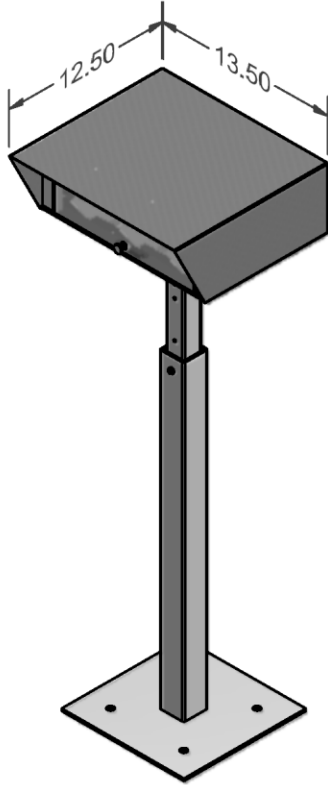
REVISIONS			
REV #	DESCRIPTION	DATE	APPROVED
A	RELEASE TO PRODUCTION	6/15/10	TO



DETAIL B



39.83
ADJUSTABLE HEIGHT
39-7/8 - 31-1/6



THIS DOCUMENT CONTAINS PROPRIETARY INFORMATION WHICH IS THE EXCLUSIVE PROPERTY OF KORDEN INDUSTRIES INC. PLEASE DO NOT SHARE THIS INFORMATION IN ANY FORM WITH OUR COMPETITORS OR OTHERS WITHOUT OUR WRITTEN PERMISSION.

ALL DIMENSIONS ARE IN INCHES	X ± 1 XX ± .03 XXX ± .01
DRAWN BY: TO	
REV #	

FD-100
PART NO#
DATE CREATED: 6/2/2010



N/A				
-----	--	--	--	--

CHECKED BY:
APPROVED BY: