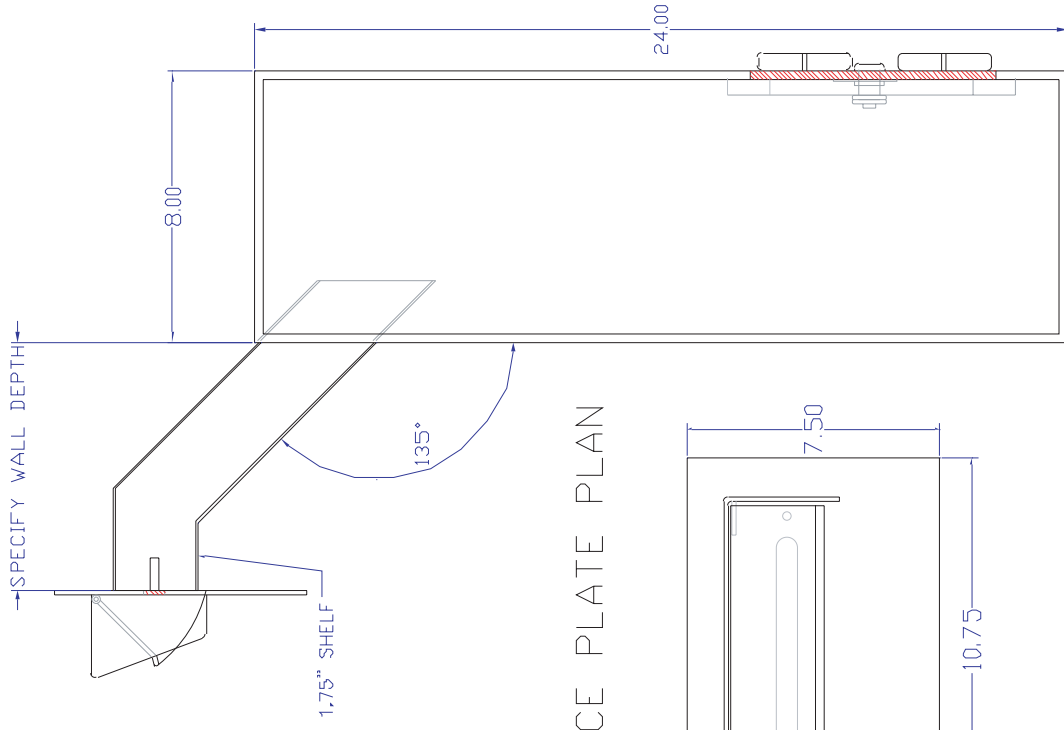
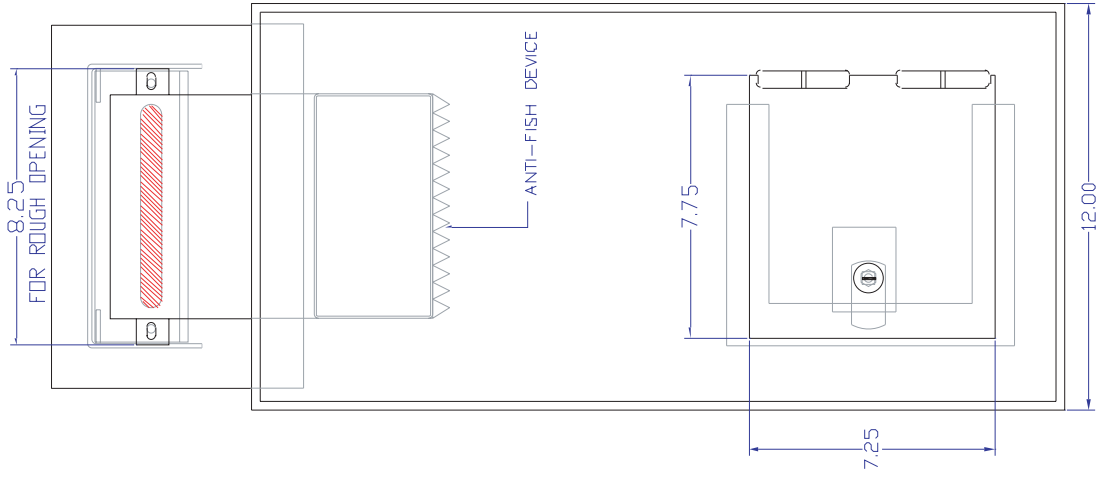


EDU PROFILE



EDU PLAN  
(INTERIOR VIEW)



SS FACE PLATE PLAN

