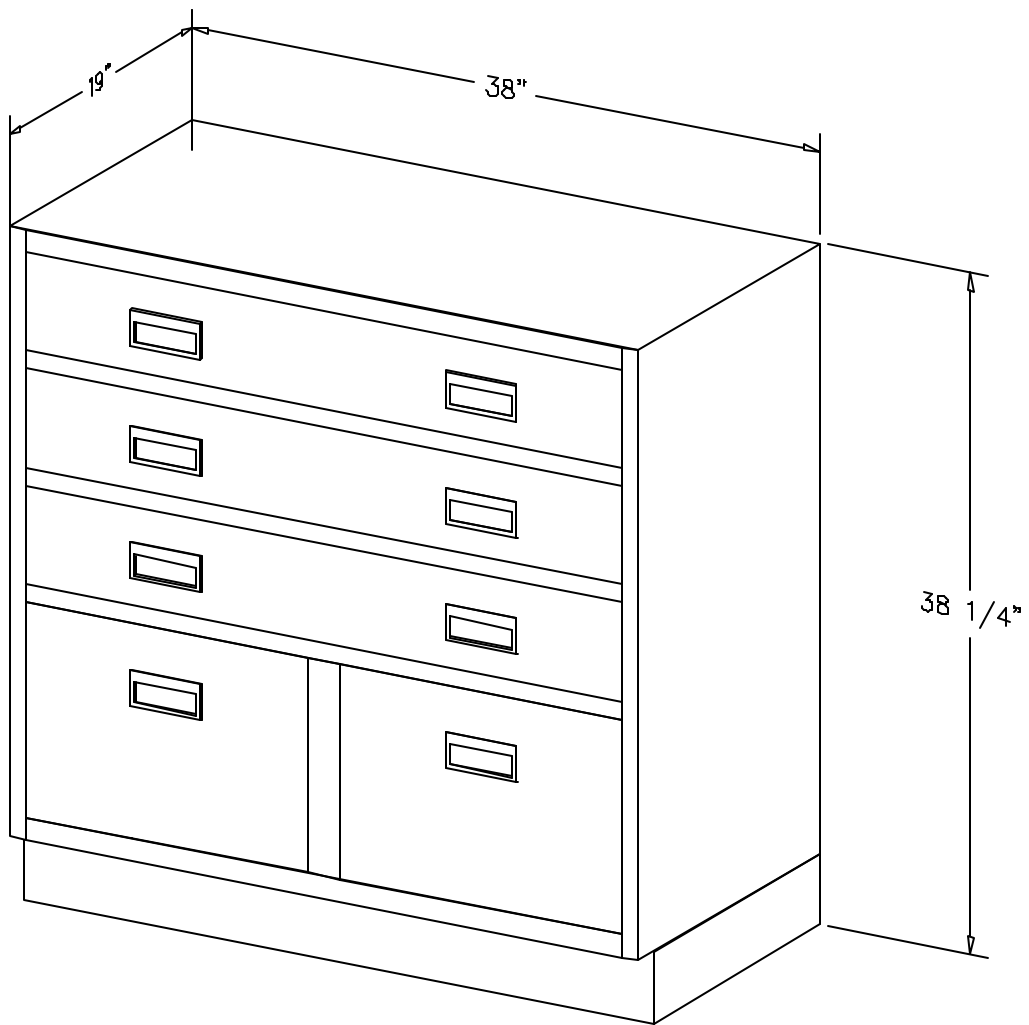


REVISIONS				
ZONE	REV	DESCRIPTION	DATE	APPROVED



© 1998 KORDEN, INC.  
 ALL RIGHTS RESERVED.  
 THIS DOCUMENT AND THE INFORMATION CONTAINED HEREIN IS PROPRIETARY AND CONFIDENTIAL AND IS PROTECTED UNDER UNITED STATES COPYRIGHT LAW. THIS DOCUMENT IS FURNISHED FOR THE EXPRESS AND EXCLUSIVE PURPOSE OF CONVEYING INFORMATION TO CUSTOMERS AND SUPPLIERS OF KORDEN, INC. AND MAY NOT BE REPRODUCED IN ANY FORM, IN WHOLE OR PART, AND IS NOT TO BE DISCLOSED TO COMPETITIVE SOURCES.

UNLESS OTHERWISE SPECIFIED:  
 DIMENSIONS ARE IN INCHES  
 TOLERANCES  
 DECIMALS      ANGULAR  
 .XX    ± .005      ± 0.25°  
 .XXX   ± .002  
 DO NOT SCALE DRAWING

*Korden* **KORDEN, INC.<sup>®</sup>**

DW-113

DRAWN BY R. AMBRIZ	DATE 03/04/98	SIZE A	MATERIAL	DWG NO. DW113-D	REV A
CHECKED BY		SCALE N.T.S.		SHEET 1	OF 1
DESIGN BY					